

# Installation Instructions

## ATVS100 ATV Spreader

A multipurpose spreader designed to distribute feed, seed, and other free flowing materials while mounted on an ATV.

### Mounting Instructions

1. Use (4) M6 x 20 bolts, flat washers and locknuts to attach the Motor Assembly to the Hopper (as shown in fig. 1).
2. Put connector end of the motor wire through the hole in the Hopper and insert the grommet to keep material from falling out
3. Use a cotter pin to attach the Spinner Disc to the motor shaft (as shown in fig. 1).
4. Use (4) M6 x 40 bolts and locknuts to attach the Hopper Assembly to the straight Frame pieces (as shown in fig. 2)
5. Place spreader on ATV and use M6 x 40 bolts to attach the Crossmember. You may need to feed the straight frame sections through the rack's upright crossmember.
6. Make sure the Frame and Crossmember line up with sections of the ATV's rack. (There are two mounting positions for the crossmember. Use whichever lines up best with a section of the rack)
7. Fasten spreader frame to the ATV rack using the U-bolts, washer plates, lock washers and jam nuts.
8. Use (2) M6 x 40 bolts and locknuts to attach Control Plate to frame
9. Insert bent end of Control Rod into restrictor plate and then insert flattened end into the control handle
10. Use the wing nut to attach Control Handle to Control Plate
11. Insert carriage bolt, plastic spacer and wing nut into the Control Plate to provide a stop for the Control Handle
12. Connect Wire Harness to motor and then plug the accessory adaptor into the ATV's accessory plug
13. A "push/pull" action on the Control Handle will allow you to control the opening size in the bottom



of the Hopper. Enlarging the opening size will allow for more material to be spread. Adjust the opening to accommodate the size and quantity of material you wish to spread.

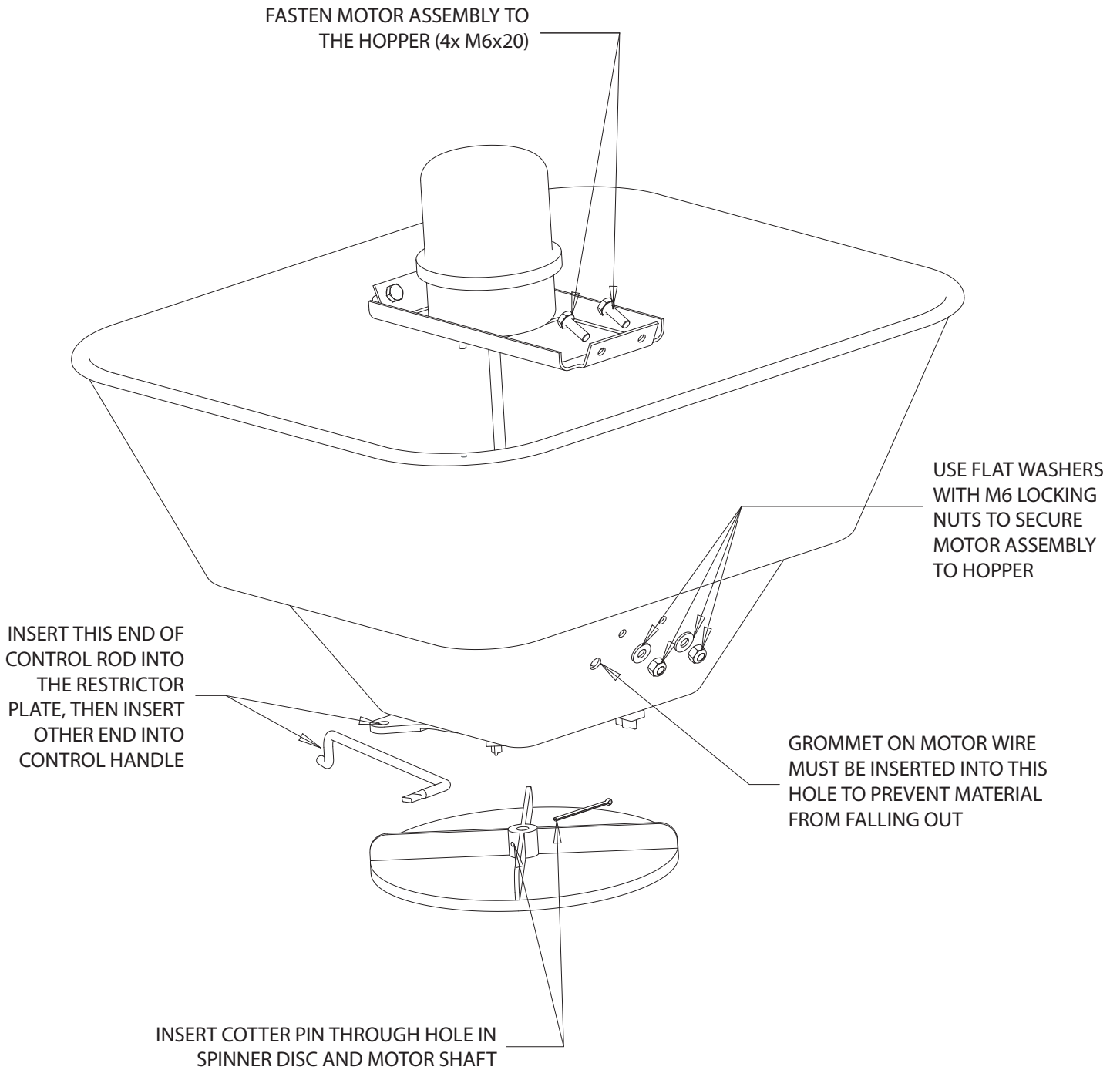
### Operating Instructions

1. Close the Restrictor Plate completely by pushing the Control Handle forward. Load material into the Hopper and put on the Rain Cover. Turn the "ON/OFF" switch to the "ON" position. While moving, use the Control Handle to open the Restrictor Plate and begin spreading material.
2. Adjust the opening of the Restrictor Plate using the wing nut and plastic spacer to increase or decrease the amount of material being spread.

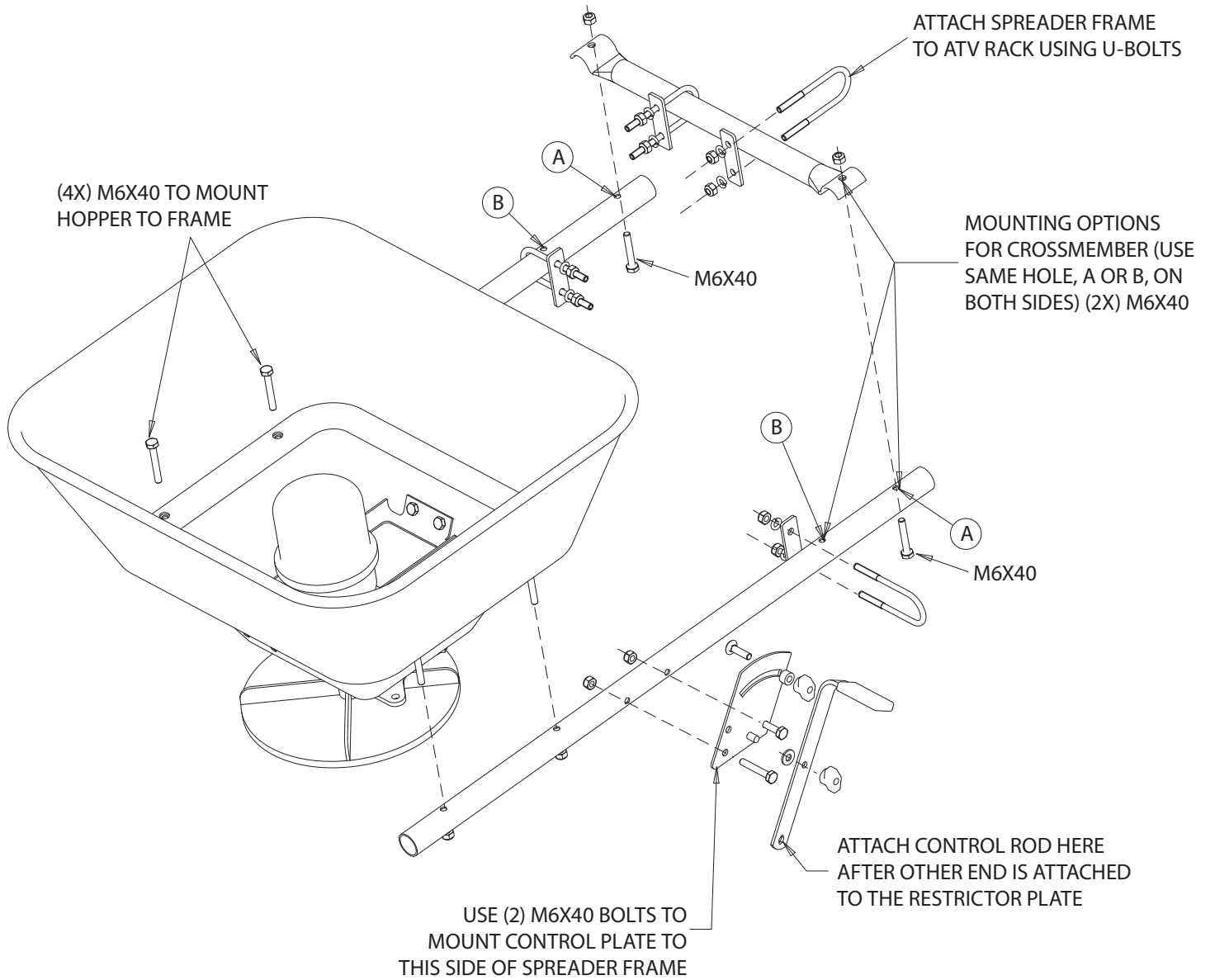
#### PLEASE NOTE

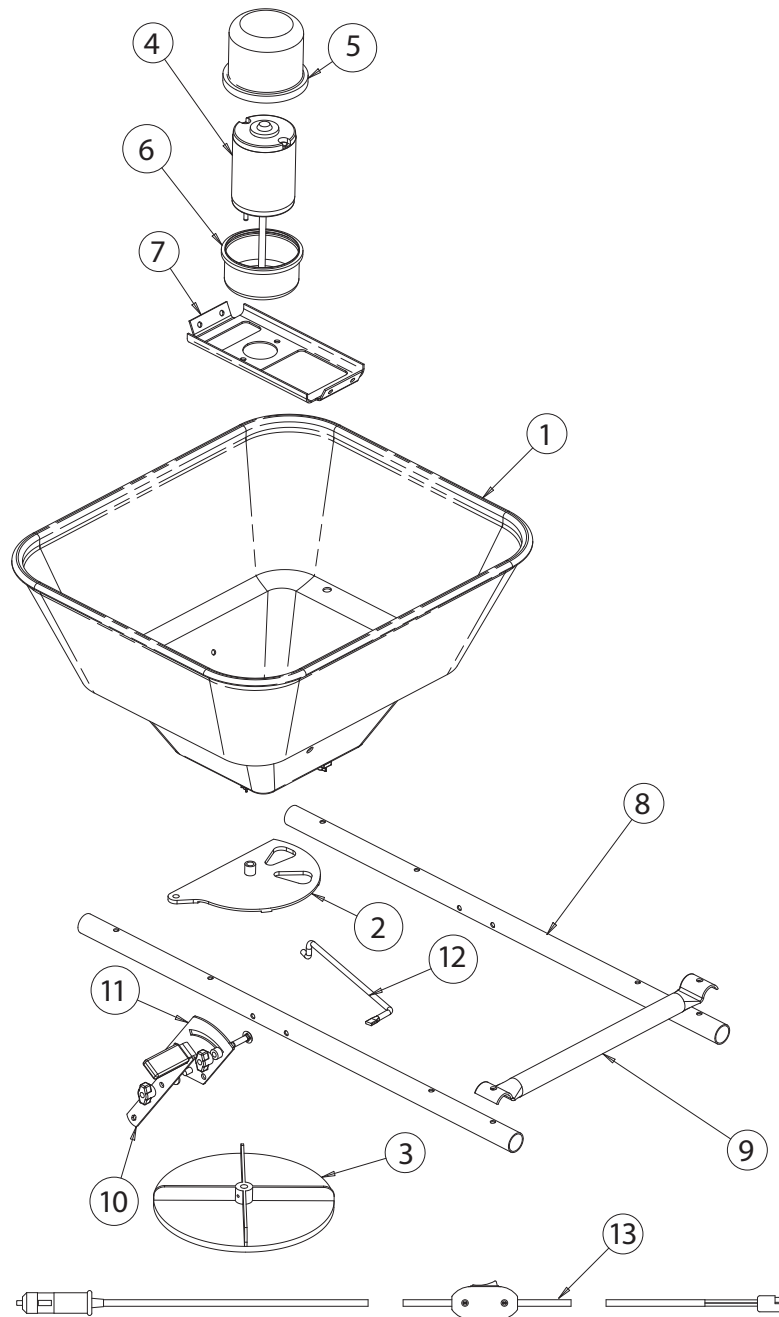
1. Take precautions to operate the ATV in a safe manner. Follow precautions and guidelines as outlined in the ATV Owner's Manual.
2. In the event the Spreader Motor is not operating, check fuse in accessory adaptor and replace if blown.
3. Clean the Hopper and brackets after use. Some material can cause corrosion to metal parts, thus reducing the life of the Spreader Assembly.

**fig. 1**



**fig. 2**





### Bill of Materials

ITEM	PART NO.	DESCRIPTION
1	<b>3008791</b>	Hopper
2	<b>3008792</b>	Restrictor Plate
3	<b>3007863</b>	Spinner
4	<b>3008793</b>	Motor, ATVS100
5	<b>3008801</b>	Motor Cover, Top
6	<b>3008802</b>	Motor Cover, Bottom
7	<b>3008796</b>	Bracket, Motor Mount
8	<b>3008805</b>	Frame, Straight
9	<b>3008795</b>	Frame, Crossmember
10	<b>3008803</b>	Control Handle
11	<b>3007869</b>	Control Plate
12	<b>3008797</b>	Control Rod
13	<b>3002232</b>	Wire Harness
	<b>3007993</b>	Rain Cover
	<b>3008808</b>	Hardware Bag

### Warranty

Buyers Products Co. warrants all truck/trailer hardware manufactured or distributed by it, to be free from defects in material and workmanship for a period of one year from date of shipment. Parts must be properly installed and used under normal conditions. Any product which has been altered, including modification, misuse, accident or lack of maintenance will not be considered under warranty. Normal wear is excluded. The sole responsibility of Buyers Products Co. under this warranty is limited to repairing or replacing any part or parts which are returned, prepaid, and are found to be defective by Buyers Products Co. Authorization from Buyers Products Co. must be obtained before returning any part. No charges for transportation or labor performed on Buyers' products will be allowed under this warranty.